



## REVERSING LIGHTS

## **REVERSING LIGHTS DESCRIPTION**

The vehicle is equipped with reversing lights located in the tail-light clusters.

These are operated whenever reverse is engaged via a switch on the outside of the gear housing.

The circuit is supplied with the key on MAR and protected by a fuse located in the underfacia junction unit.

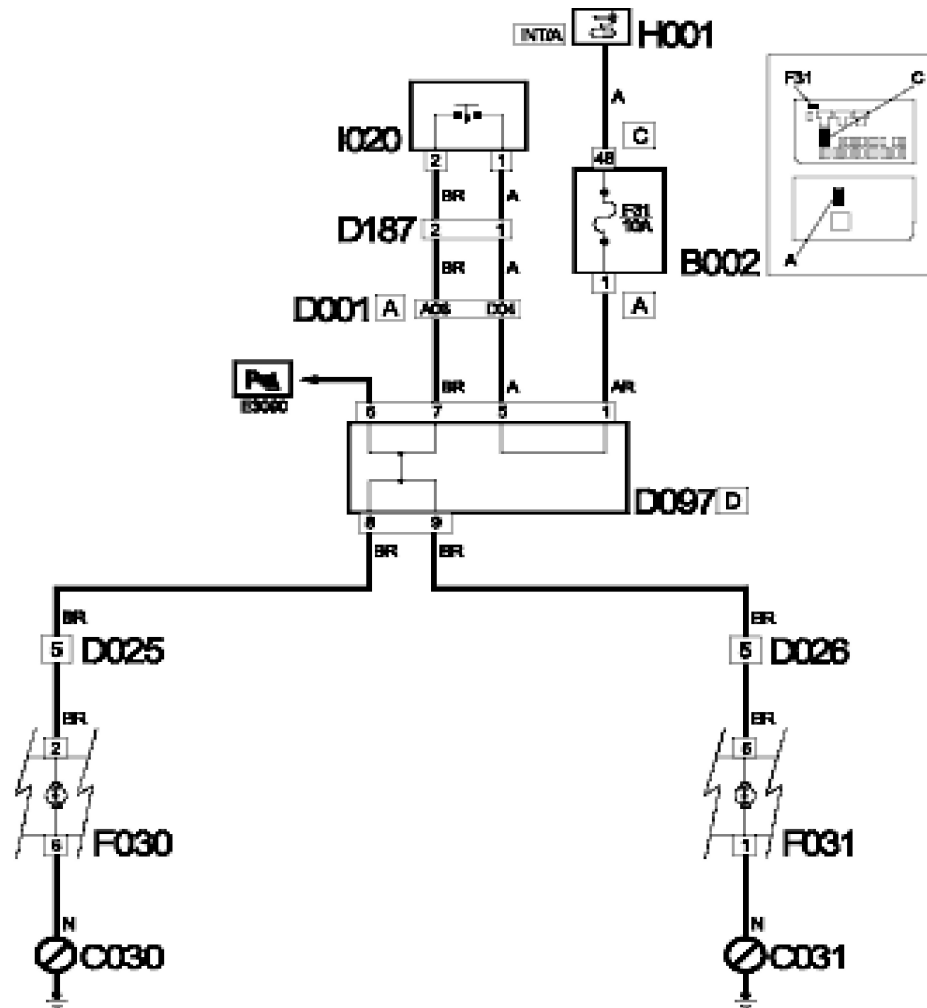
## REVERSING LIGHTS OPERATIONAL DESCRIPTION

The reversing light activation signal leaves switch I020, located in gear casing, ignition-operated (INT/A) via a connection between ignition switch H001 and pin 48 connector C of under-facia junction unit B002. Power is supplied to short-circuit junction D097D - pin 1- via fuse F31 housed in the junction unit. The short-circuit junction supplies, in turn, reversing light switch I020 from pin 5.

When reverse is engaged, switch I020 closes - across pin 1 and pin 2 - and sends a signal to short-circuit junction D097D, pin 7, that governs activation of the respective bulbs housed in tail-lights F030 F031.

A signal also comes from parking sensor control unit (see function E3090).

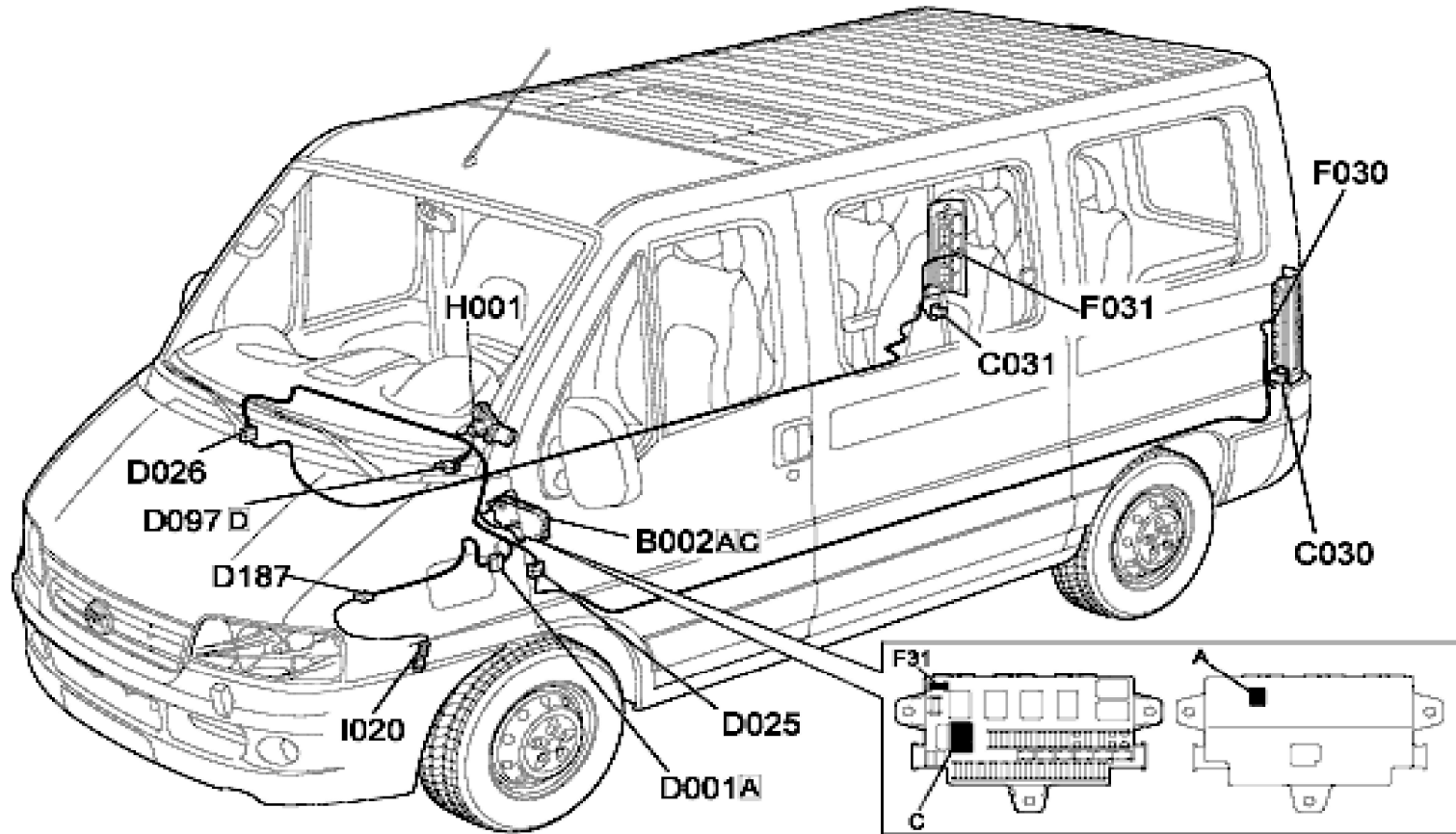
# REVERSING LIGHTS WIRING DIAGRAM



Component code	Description	Reference to the assembly
B002	JUNCTION UNIT UNDER DASHBOARD	-
C030	LEFT REAR EARTH	-
C031	RIGHT REAR EARTH	-

D001	FRONT/DASHBOARD COUPLING	-
D025	DASHBOARD/LEFT REAR COUPLING	-
D026	DASHBOARD/RIGHT REAR COUPLING	-
D097	SHORT CIRCUITING COUPLING	-
D187	FRONT/REVERSING SWITCH BRIDGE COUPLING	-
F030	LEFT REAR LIGHT CLUSTER	
F031	RIGHT REAR LIGHT CLUSTER	
I020	REVERSING LIGHTS SWITCH	-
I081	MULTIFUNCTION SWITCH ON GEARBOX	-
		-
		-
		-
		-
		-
		-

## REVERSING LIGHTS LOCATION COMPONENTS



Component code	Description	Reference to the assembly
B002	JUNCTION UNIT UNDER DASHBOARD	-
C030	LEFT REAR EARTH	-
C031	RIGHT REAR EARTH	-

D001	FRONT/DASHBOARD COUPLING	-
D025	DASHBOARD/LEFT REAR COUPLING	-
D026	DASHBOARD/RIGHT REAR COUPLING	-
D097	SHORT CIRCUITING COUPLING	-
D187	FRONT/REVERSING SWITCH BRIDGE COUPLING	-
F030	LEFT REAR LIGHT CLUSTER	
F031	RIGHT REAR LIGHT CLUSTER	
I020	REVERSING LIGHTS SWITCH	-
I081	MULTIFUNCTION SWITCH ON GEARBOX	-
		-
		-
		-
		-
		-
		-